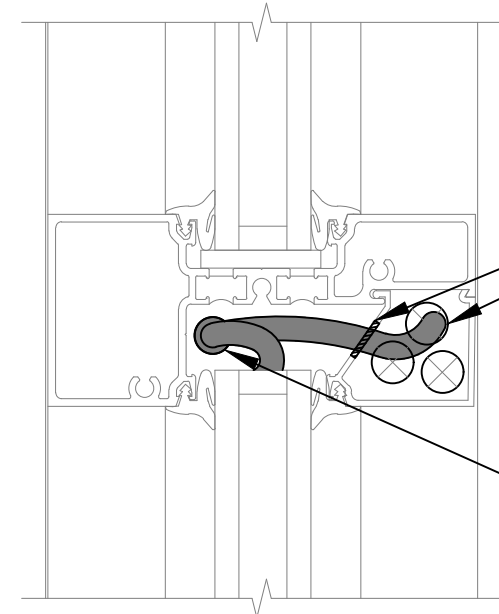


IGU CABLE CONNECTION TO IGU SWC IN GLASS POCKET

MIN. 7/16" DIA. HOLE FOR IGU CABLE TO FILE ALL EDGES SMOOTH. INSTALL SILICONE GROMMET, BACKFILL WITH SILICONE SEALANT.

- NOTES:
1. INSTALLER TO PROVIDE GROMMETS AT ALL FRAME PENETRATIONS WHERE POSSIBLE TO AVOID CABLE DAMAGE.
  2. INSTALLER TO LABEL IGU CABLES WITH IGU NAME TO WHICH IT IS CONNECTED.
  3. WHEN GLAZING POCKET CANNOT ACCOMMODATE IGU/SWC, INCORPORATE SERVICE LOOP INTO IGU CABLING. MAKE CONNECTION TO SWC AS YOU ARE GLAZING AND PUSH CONNECTOR THROUGH HOLE AND INTO MULLION.
  4. NO WIRE ROUTING IN SILL.

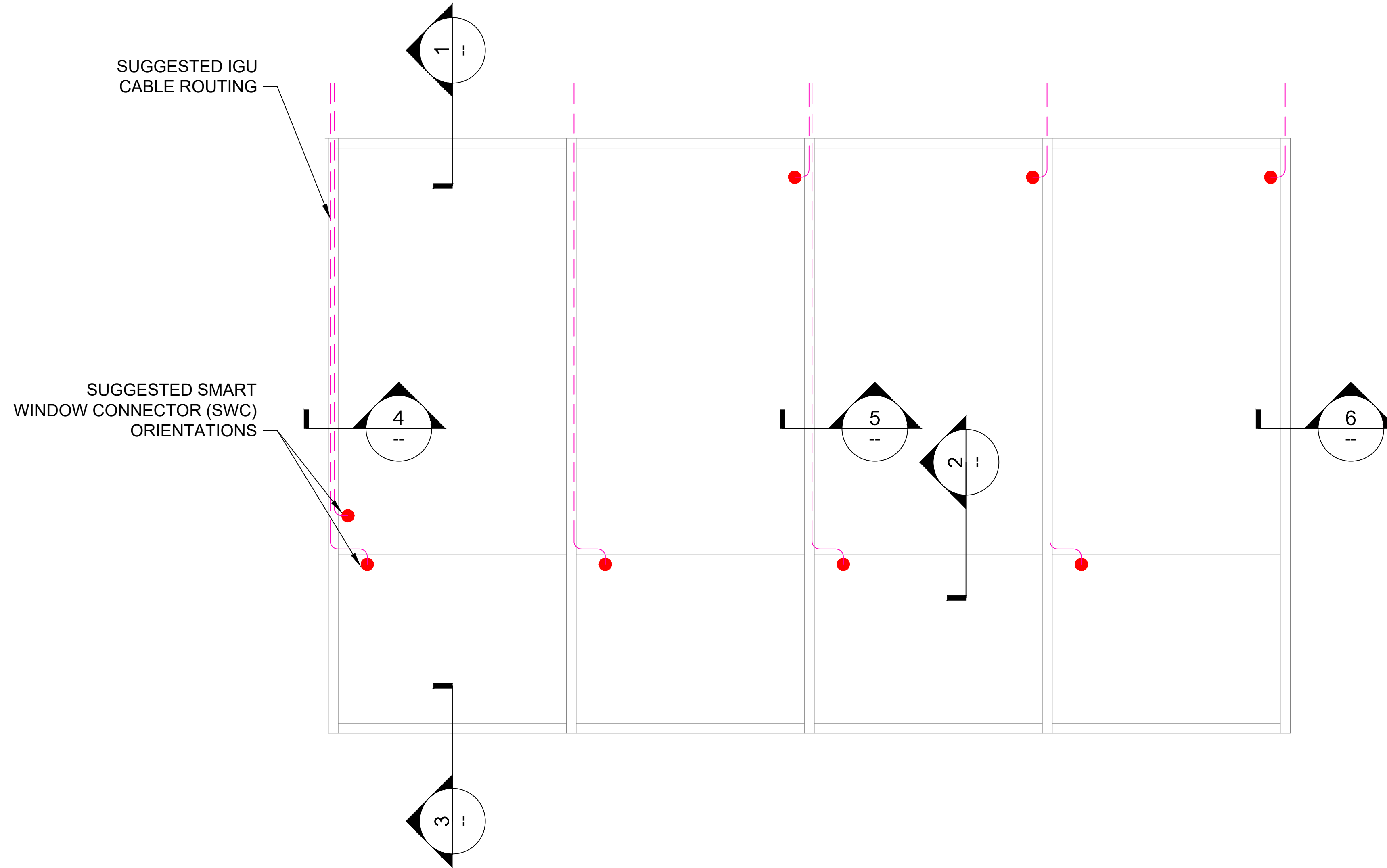
DETAIL 1  
 HEAD



MIN. 7/16" DIA. HOLE FOR IGU CABLE TO FILE ALL EDGES SMOOTH. INSTALL SILICONE GROMMET, BACKFILL WITH SILICONE SEALANT.

IGU CABLE CONNECTION TO IGU SWC IN GLASS POCKET

DETAIL 2  
 HORIZONTAL MULLION

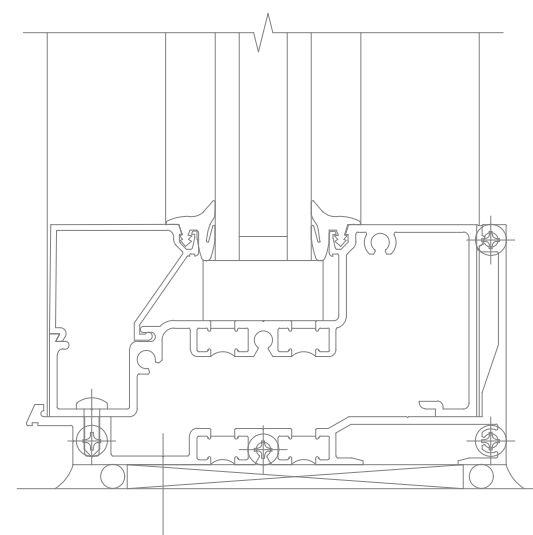


SUGGESTED IGU CABLE ROUTING

SUGGESTED SMART WINDOW CONNECTOR (SWC) ORIENTATIONS

TYPICAL ELEVATION  
 SCALE: NONE

NO CABLE ROUTING IN SILL



DETAIL 3  
 SILL

MIN. 7/16" DIA. HOLE FOR IGU CABLE TO FILE ALL EDGES SMOOTH. INSTALL SILICONE GROMMET, BACKFILL WITH SILICONE SEALANT.

SEE DETAIL 2

MIN. 7/16" DIA. HOLE FOR IGU CABLE TO FILE ALL EDGES SMOOTH. INSTALL SILICONE GROMMET, BACKFILL WITH SILICONE SEALANT.

SEE DETAIL 2

MIN. 7/16" DIA. HOLE FOR IGU CABLE TO FILE ALL EDGES SMOOTH. INSTALL SILICONE GROMMET, BACKFILL WITH SILICONE SEALANT.

IGU CABLE CONNECTION TO IGU SWC IN GLASS POCKET

IGU CABLE CONNECTION TO IGU SWC IN GLASS POCKET

IGU CABLE CONNECTION TO IGU SWC IN GLASS POCKET

DETAIL 4  
 LEFT JAMB

DETAIL 5  
 VERTICAL MULLION

DETAIL 6  
 RIGHT JAMB

1 INSTALLATION DETAILS: FOR KAWNEER - 451UT-INT (SF)